

## HOLT

### Square Surface Bulkhead Luminaire

- // BESA box and conduit entries
- // Presence detection options
- // IP65
- // High-performance polycarbonate diffuser and base
- // Hinged gear tray
- // 3000K available
- // CRI>80
- // 5-year warranty



### Construction

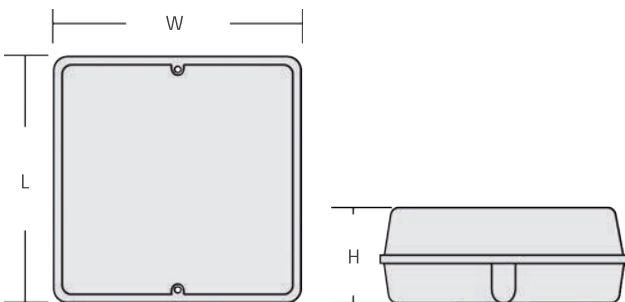
Our Holt square bulkhead has been specifically designed as an amenity bulkhead for interior or exterior use. The fitting base and diffuser are manufactured using high-grade polycarbonate material, which has been designed to maximise the LOR, ideally suited to the use of LED lamps. To further enhance the protection this luminaire already offers, tamper-proof stainless steel screws are supplied to secure the diffuser.

As standard, the luminaire utilises branded electronic control gear which is mounted on a hinged metal gear tray to enable easy installation.

### Typical Applications

External Lighting, Toilets, Store Rooms, Corridors and Warehouse Areas.

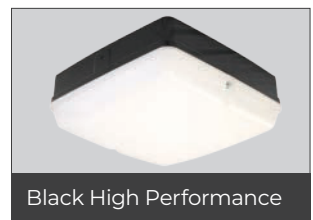
### Size Options



Size		
L 275mm	W 275mm	H 97mm



White High Performance



Black High Performance

Product Code	LED Wattage	Lumen Output	Lumen/Watt	Colour Temperature
HT14LDE	16W	1973	127	4000K
HT20LDE	22W	2732	127	4000K

Option Code	Description
/M	3 Hour Maintained Emergency
/MZ	3 Hour Maintained DALI Emergency
/P	Presence Detection
/PCF	Dimmable Presence Detection
/PH	Dusk to Dawn Photocell
/DALI	DALI/DSI Dimmable Driver
/3K	3000K LED
/WHT	White Base
/BLK	Black Base

For optional features, please include the option code suffix with the product code when ordering.