

RECESSED RAZOR

Recessed LED Drop Legend

- // Maintained or non-maintained
- // 25m viewing distance
- // Double-sided legends
- // Full three hour output in emergency mode
- // Special legends made to order
- // Low power consumption
- // DALI version available



Construction

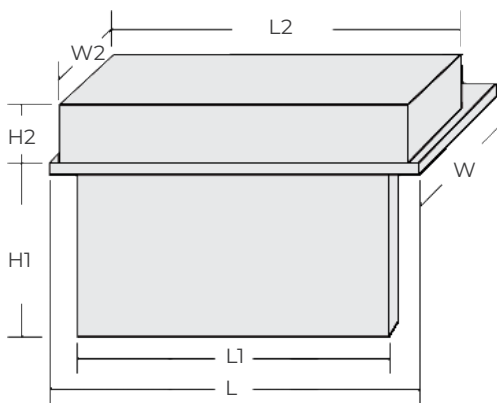
Our Recessed Razor exit sign has been designed to be a stylish flush mounted LED exit sign with a drop-down legend. The body of the luminaire is manufactured using white powder-coated sheet steel. The double-sided legend is manufactured using a crystal clear acrylic panel which provides even light distribution and excellent visibility.

Using LED technology as the light source ensures the luminaire will be energy efficient with a long lamp life, durable and require little or no maintenance during the long lifecycle apart from the regular testing procedures and recommended emergency lighting maintenance procedures.

Typical Applications

Corridors, Stairwells, Reception Areas, Toilets, Exit Routes and General Office Areas.

Size Options



Product Code	LED Wattage
RZRL	12 SMD LEDs

Legend Options	Description
RZL/AD	Arrow Down
RZL/ALR	Arrow Left/Right
RZL/AU	Arrow Up

Option Code	Description
/WH	White
/BR	Brass
/CHR	Chrome
/BLK	Black
/DALI	DALI Emergency

Size		
Faceplate		
L 355mm	W 112mm	
Legend		
L1 290mm	H1 150mm	
Cutout		
L2 332mm	W2 92mm	H2 75mm

For optional features, please include the option code suffix with the product code when ordering.