

VELO

Low Glare LED Downlight

- // Supports UGR19 compliance
- // Aluminium body
- // 60 degree beam angle
- // 3000K option
- // Available in 18w, 25w or 35w
- // High light output - up to 3600 lumens
- // Interior use
- // CRI>80
- // IP54
- // Complete with driver
- // 5-year warranty



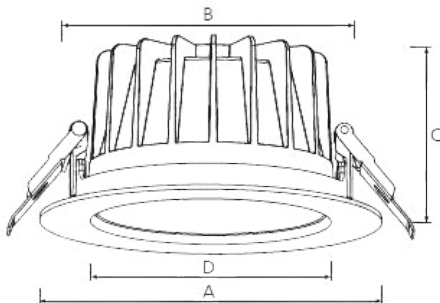
Construction

Our Velo range of LED downlights has been selected for use in recessed applications and can be mounted into suspended or plasterboard ceilings. The powder-coated aluminium body provides corrosion resistance and excellent heat dissipation. The high-quality deep reflector has a good reflective rate and is suitable for UGR19 applications.

Typical Applications

Amenity, Tea-Points, Canteens, Receptions, Corridors and General Office Areas.

Size Options



Product Code	(A) Bezel	(B) Cut out	(C) Height	(D) Lens
VLO18	Ø172mm	Ø145mm	90mm	Ø127mm
VLO25	Ø172mm	Ø145mm	90mm	Ø127mm
VLO35	Ø228mm	Ø195mm	90mm	Ø127mm



Product Code	LED Wattage	Lumen Output	Lumen / Watt	Colour Temperature
VLO18	17	2103	124	4000K
VLO25	24	2840	117	4000K
VLO35	34	3777	112	4000K

Option Code	Description
/ M	3 Hour Maintained Emergency
/ MZ	3 Hour Maintained DALI Emergency
/ D	0-10v Dimmable Driver
/ DALI	DALI Dimmable Driver
/ BTC	Casambi Dimmable Driver
/ 3K	3000K LED

For optional features, please include the option code suffix with the product code when ordering.