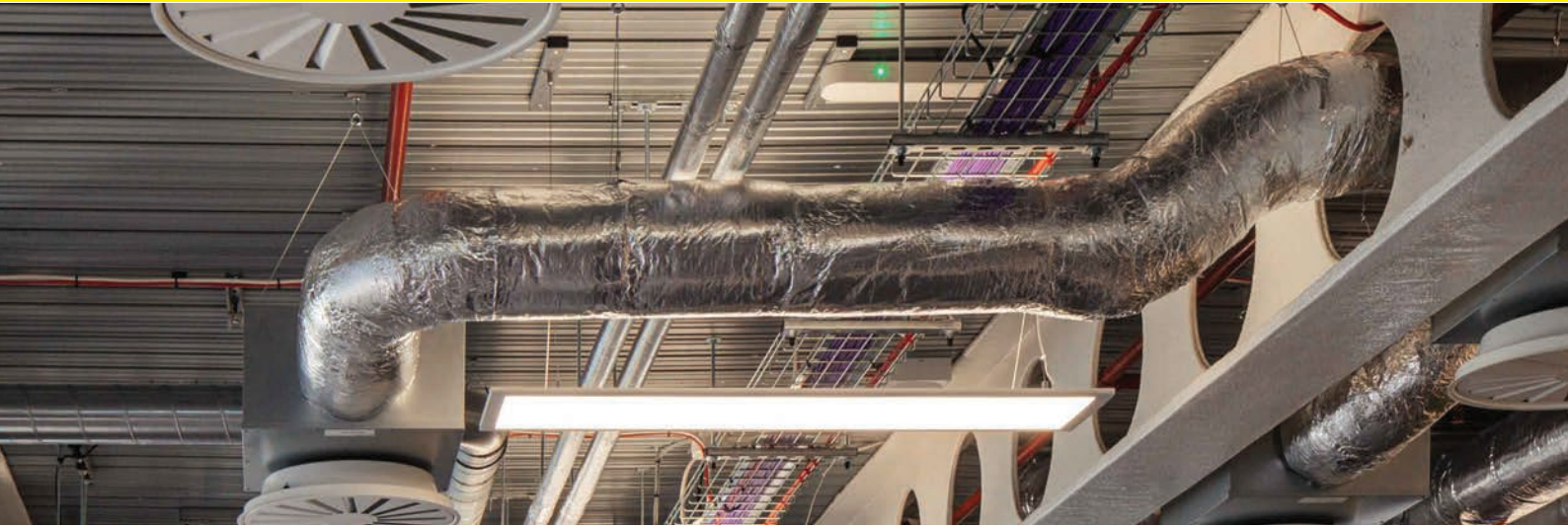


BLADE



Construction

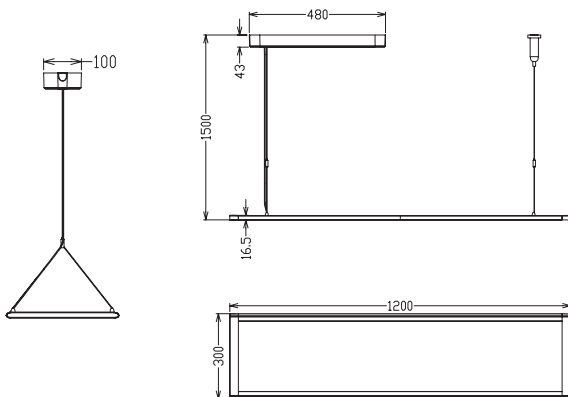
The Blade suspended panel has been specifically designed as an attractive option for exposed ceilings. The seamless frame is manufactured from aluminium, and the microprism internal diffuser can achieve better than UGR19 glare rating. The Y point 1.5m suspension kit fits easily to the fixing-free ceiling rose while the control gear is set inside a durable housing. As standard, the luminaire utilises a branded electronic control gear.

- // Supports UGR19 compliance
- // CR180
- // 70/30 direct & indirect light distribution
- // Ceiling rose to house control gear
- // 4000K as standard
- // Black trim available (other colours by request)
- // 5-year warranty
- // Longer length suspension kits are available

Typical Applications

Exposed Ceilings, Office Areas, Meeting Rooms, Reception Areas, Waiting Rooms, Schools, Hospitals, Production Facilities.

Size Options



Size

L 1200mm W 300mm H 16.5mm



Product Code	LED Wattage	Lumen Output	Lumen / Watt	Colour Temperature
BLD42	39W	4164	106	4000K

Control Options

Option Code	Description
/M	3 Hour Maintained Emergency
/MZ	3 Hour Maintained DALI Emergency
/DALI	DALI/DSI Dimmable Driver
/BLK	Black Trim Option
/WCR	White Ceiling Rose
/BCR	Black Ceiling Rose

For optional features, please include the option code suffix with the product code when ordering.