

CASCADE

Contemporary Wall Lighting Solution

- // Wall mounted up & down light
- // Robust aluminium construction
- // IP20
- // DALI option available
- // Integral emergency solution available
- // Available in 3000K
- // White as standard, black option available
- // Other RAL colours upon request
- // 5-year warranty



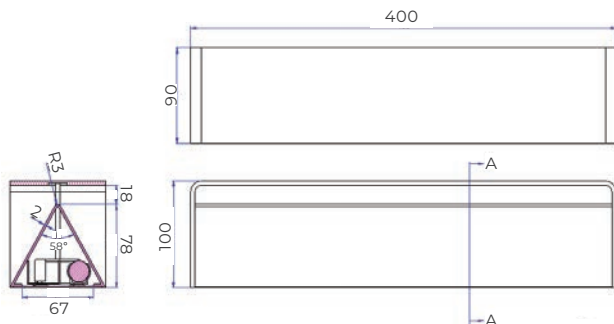
Construction

The Cascade wall light has been designed to provide equal up and downlight distribution, whilst cleverly concealing the LED board and emergency control gear. The robust aluminium housing is white as standard with black and other RAL colours available to sit in seamlessly with your interior designs. This aesthetically pleasing wall light is the perfect solution for any commercial applications, especially CAT A & B fit outs where a cascade of light is required in low light stairwells and corridors.

Typical Applications

Stairwells, Corridors, Lobbies and Reception Areas.

Size Options



*Measurements are displayed in mm

Size		
L 400mm	W 100mm	H 90mm



Black version



Back mounting plate view

Product Code	LED Wattage	Lumen Output	Lumen/Watt	Colour Temperature
CSC12	12W	1397	113	4000K
CSC12/9005	12W	897	73	4000K

Option Code	Description
/M	3 Hour Maintained Emergency
/MZ	3 Hour Maintained DALI Emergency
/DALI	DALI/DSI Dimmable
/3K	3000K LED
/9005	Black

For optional features, please include the option code suffix with the product code when ordering.