

LAGUNA

Commercial LED Downlight

- // Recessed opal PC diffuser
- // SMD LED powered by Tridonic
- // Bezel finished in RAL9016 White
- // Switchable 3 x CCT 3K, 4K and 5.5K
- // Emergency and dimming options available
- // IP54
- // Life up to >50,000 hours
- // 5 year warranty
- // Manufactured in UK



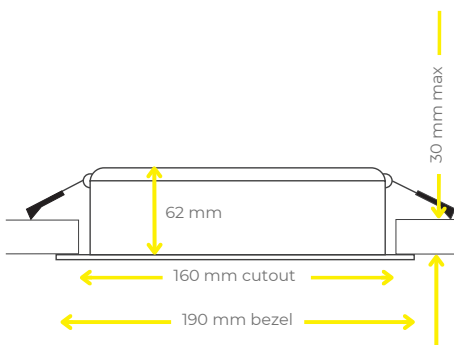
Construction

The Laguna IP54 commercial downlight is the perfect slimline high-output LED downlight. The steel bezel is finished in an attractive RAL9016 white. The LED light source is powered by SMD LED chips. Diffuser material is opal polycarbonate.

Typical Applications

Corridors, Toilets, General Function Areas, Meeting Rooms, Retail and Leisure Facilities

Technical Drawing



Product Code	LED Wattage	Lumen Output	Lumen/Watt	Colour Temperature
LAG11	11W	1182	106	4000K
LAG21	21W	2259	110	4000K

Section	Option Code	Description
1 - EMERGENCY	/NE	No Emergency
	/M	Emergency
	/MZ	DALI Emergency
2 - CONTROL	/ND	Non Dim
	/TD	Triac Dim
	/DA	DALI Dim
3 - BEZEL	/BTC	Casambi Dim
	/9016	White RAL9016 Bezel
	/3K	3000K
4 - CCT	/4K	4000K
	/55K	5500K
	/80	CRI>80
6 - IP RATING	/54	IP54 Glass

For optional features, please include the option code suffix with the product code when ordering.