

NOVA

Slim Low Glare Downlight

- // Super slim LED downlight with high efficiency
- // Multi-faceted reflector for 60° beam angle
- // Custom lens and reflector combination for low-glare
- // Surface mount box available for 18W and 24W versions - see separate datasheet
- // 4000K as standard, with 3000K option
- // Compatible with Casambi wireless controls
- // IP54 when recessed, IP40 when surface mounted



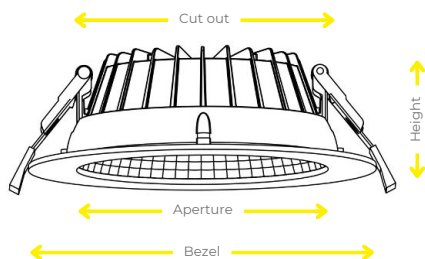
Construction

This SMD downlight is ultra-slim and boasts high lumen efficiency. Its concave front design, along with the reflector and lens optic combination, minimizes the lamp's height and reduces glare, providing a pleasant visual experience. Additionally, it can function as both a suspended downlight and a surface-mounted light with the additional mounting box available for the 18W and 24W versions.

Typical Applications

General Office Areas, Receptions, Boardrooms, Education Facilities, Hotels, Leisure Facilities, Hospitality and Retail.

Dimensions

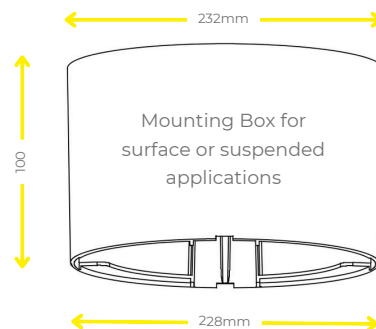


Model	Bezel	Aperture	Cut Out	Height
NOV12	190mm	148mm	160-170mm	61mm
NOV18	228mm	183mm	200-210mm	61mm
NOV24	228mm	183mm	200-210mm	61mm

Product Code	LED Wattage	Lumen Output	Lumen/Watt	Colour Temperature	Beam Angle
NOV12	12W	1724	145	4000K	60°
NOV18	18W	2588	146	4000K	60°
NOV24	24W	3324	141	4000K	60°

Section	Option Code	Description
1 - EMERGENCY	/NE	No Emergency
	/M	Emergency
	/MZ	DALI Emergency
2 - CONTROL	/ND	Non Dim
	/DA	DALI Dim
3 - FINISH	/BTC	Casambi Dim
	/9016	RAL9016 White
4 - CCT	/4K	4000K
	/3K	3000K (light output -5%)
5 - BEAM ANGLE	/60	60° lens
6 - CRI	/80	CRI>80
7 - IP RATING	/40	IP40 (when used with mounting box)

See separate datasheet for surface mount (product code NVS) or suspended (product code NVU) options.



For optional features, please include the option code suffix with the product code when ordering.