

OPTRO

Modular Low Glare Downlight

- // Deep recessing of LED for low glare
- // Square and round options, single or double
- // Adjustable angle up to 30°
- // Rapid and easy installation with mounting rings, allowing adjustment of modular elements
- // Blackout design avoids light leakage after adjustment
- // Multi-beam angles allow variation in lighting effect
- // Emergency and dimming options
- // Incorporates Osram/Vossloh drivers with quick release connectors
- // CRI>90 as standard



Construction

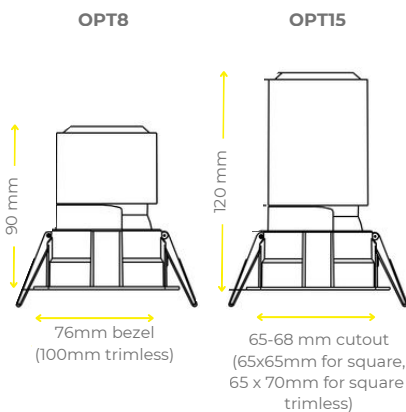
The Optro modular low glare downlight is a highly versatile LED luminaire, offering a wealth of visual and light effect options, along with a range of interchangeable accessories.

The Optro is available with either square or round bezels in either black, white or plaster-in finish and with its wide range of beam angles and reflector options, the Optro is ideal for any commercial environment.

Typical Applications

Hospitality, Tea Points, Seating, Reception and Leisure Areas, General Office Areas

Technical Drawing - OPT



| Product Code | LED Wattage | Lumen Output | Lumen/Watt | Colour Temperature |
|--------------|-------------|--------------|------------|--------------------|
| OPT8 | 8W | 720 | 90 | 4000K |
| OPT15 | 15W | 1350 | 90 | 4000K |
| OPD16 | 16W | 1440 | 90 | 4000K |
| OPD30 | 30W | 2700 | 90 | 4000K |

Note: OPT is a single model, OPD is a double model.

| Section | Option Code | Description |
|-----------------|---------------------------------|---------------------------------------|
| 1 EMERGENCY | | If no emergency required, leave blank |
| | /M | Emergency |
| | /MZ | DALI Emergency |
| 2 CONTROL | /ND | Non Dim |
| | /DA | DALI Dim |
| | /BTC | Casambi Dim |
| 3 BEZEL | /WH | White Round Bezel |
| | /TR | Trimless Round Bezel |
| | /WHQ | White Square Bezel |
| | /TRQ | Plaster-in Square Bezel |
| | /BL | Black Round Bezel |
| | /BLQ | Black Square Bezel |
| | /WHD | White Square Double* Bezel |
| /TRD | Plaster-in Square Double* Bezel | |
| 4 CCT | /4K | 4000K |
| | /3K | 3000K (light output -5%) |
| 5 BEAM ANGLE | /18 | 18° beam |
| | /24 | 24° beam |
| | /36 | 36° beam |
| | /50 | 50° beam |
| | 6 REFLECTOR | /WH |
| /BL | | Black Reflector |
| /GU | | Gunmetal Reflector |
| /SL | | Silver Reflector |
| /BR | | Brass Reflector |

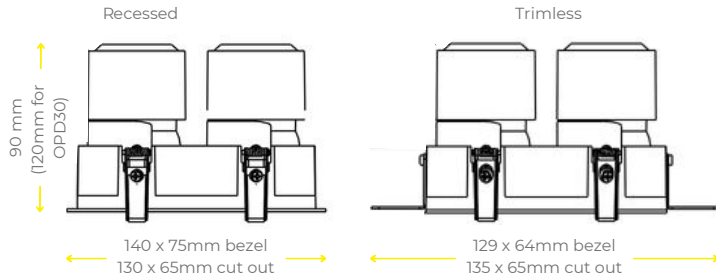
*OPD only

For OPD models, see next page

For optional features, please include the option code suffix with the product code when ordering.

OPTRO - OPTIONS AND ACCESSORIES

Technical Drawing - OPD



Options

