

## ECO-LINE

### LED Batten

- // Opal polycarbonate diffuser
- // IP20 for indoor use only
- // LED CRI>80, 40,000h life
- // Removable gear tray for easy installation
- // BESA box entry points
- // 20mm conduit entry in end caps
- // Presence detection options
- // IK06 rating
- // 4000K as standard
- // 5-year warranty



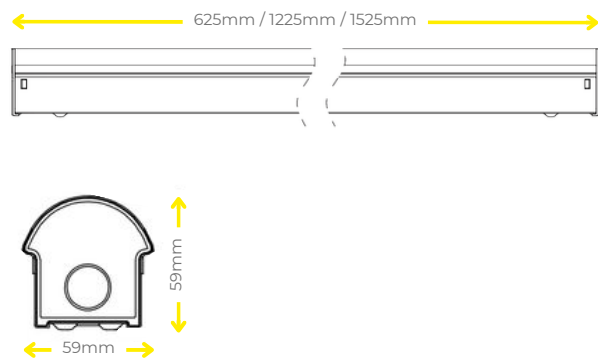
### Construction

The Eco-Line is designed to be surface mounted and, with its simple design and construction, gives superior capability. This highly efficient luminaire is not only energy saving, it is easy to fit by simply unclipping the diffuser and gear tray. The main channel of batten allows easy cable entry via the BESA entries. The polycarbonate diffuser achieves anti-glare but high light transmittance.

### Typical Applications

Hospitals, Warehouses, Factories, Retail and Supermarkets etc.

### Dimensions



Product Code	LED Wattage	Lumen Output	Lumen/Watt	Colour Temperature	Length
CLE625	20W	2099	104	4000K	625mm
CLE1225	38W	4119	107	4000K	1225mm
CLE1525	44W	4937	112	4000K	1525mm

### Product Configuration

Choose your options to generate the full order code

Section	Option Code	Description
1 - EMERGENCY		Leave blank if no emergency
	/M	Emergency
	/MZ	DALI Emergency
	/ND	Non Dimmable
2 - CONTROL	/DA	DALI Dimmable
	/BTC	Casambi Dimmable
	/P	Presence Detector
	/PCF	Dimmable Presence Detector

#### FULL CODE EXAMPLE:

CLE1225/MZ/DA/P = Eco-LineLED Batten Light, 1225mm, DALI Emergency, DALI Dimmable