

CANTA

Surface/Suspended Low Glare Downlight

- // Surface/suspended luminaire with options for track lighting
- // UGR>19 can be achieved with narrower beam angles
- // Beam angle 60 as standard, options for 24 or 36
- // High-quality powder-coated aluminium
- // 3000K option
- // CRI>80 as standard, CRI>90 option available
- // IP20
- // Flex length can be adjusted
- // Compatible with Casambi wireless control system
- // 5-year warranty



Construction

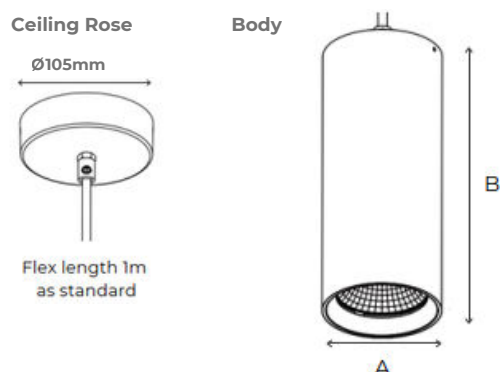
Our Canta low glare downlight has been designed as a stylish option for surface, track or suspended applications and is ideal where appearance is important.

The body is powder-coated aluminium and gives good heat dissipation. The faceted reflector has a good reflective rate.

Typical Applications

Hospitality, Tea Points, Seating, Reception and Leisure Areas.

Size Options



Product Code	Size (A)	Size (B)
CAN10	Ø65mm	180mm
CAN15	Ø85mm	206mm
CAN25	Ø100mm	220mm



Product Code	LED Wattage	Lumen Output	Lumen/Watt	Colour Temperature	Beam Angle
CAN10	10W	1244	121	4000K	60°
CAN15	15W	1822	126	4000K	60°
CAN25	25W	3006	126	4000K	60°

Replace CAN with CANS for surface mount option

Product Configuration

Choose your options to generate the full order code

Section	Option Code	Description
1 - CONTROL	/TD	Mains Dim
	/DA	DALI Dim
	/BTC	Casambi Dim
2 - FINISH	/9016	RAL9016 White
	/9005	RAL9005 Black
3 - CCT	/4K	4000K
	/3K	3000K (light output - 3%)
4 - BEAM ANGLE	/R24	24° lens (light output - 1%)
	/R36	36° lens
	/R60	60° lens
5 - CRI	/80	CRI>80
	/90	CRI>90 (light output - 15%)
6 - IP RATING	/40	IP40 (when used with mounting box)
7 - ACCESSORIES		Leave blank for standard
	/ADJ	Adjustable base (available on 10 and 15W models)

FULL CODE EXAMPLE:

CAN15/DA/9005/4K/R60/80 = Canta Suspended Pendant Light, DALI Dimmable, Black RAL9005, 4K, 60° beam angle, CRI>80