

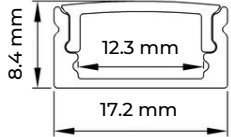

LED STRIP TAPE PROFILES

Mount Lighting advise when using LED strip tape, you use suitable aluminium profiles with a diffuser for mandatory dissipation and even light distribution. Fixing the LED tape to the extrusion can create a finished look compared to the unhooded tape, especially when clearly visible. The profiles are not waterproof but can help prevent moisture ingress, for full protection, use IP67 tape and driver. **LED tapes and drivers are not included and can be ordered separately.**

When fixing LED profile, the fixings must be countersunk to ensure that the LED tape can lay flat on the profile.

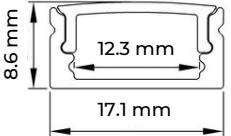

17mm x 8mm Aluminium Profile

- // IP20
- // Surface mounting
- // Standard length 2m
- // 5-year warranty

Product Code	Dimension	Product Image
MLP002		
Accessories	Description	
EC002	17.2 x 8mm end cap	
MC002	Cap Fixing Clip	

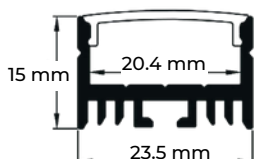

23.2mm x 8mm Aluminium Profile

- // IP20
- // Recessed mounting
- // Standard length 2m
- // 5-year warranty

Product Code	Dimension	Product Image
MLP001-R		
Accessories	Description	
EC001	17.1 x 8mm end cap	
MC001	Cap Fixing Clip	

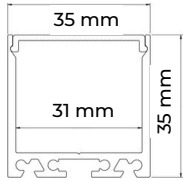

24mm x 15mm Aluminium Profile

- // IP20
- // Recessed and surface mounting
- // Standard length 2m
- // 5-year warranty

Product Code	Dimension	Product Image
MLP044		
Accessories	Description	
EC044	23.5 x 15 mm end cap	
MC044	Cap Fixing Clip	

35mm x 35mm Aluminium Profile

- // IP20
- // Surface mounting
- // Standard length 2m
- // 5-year warranty

Product Code	Dimension	Product Image
MLP018		
Accessories	Description	
EC018	35 x 35 mm end cap	

LED STRIP TAPE PROFILES

98mm x 18.5mm Recessed Trimless

- // IP20
- // Maximum LED strip width 47mm
- // Recessed plaster in profile
- // Standard length 2m
- // 5-year warranty

Product Code	Dimension	Product Image
MLP083-R		
Accessories	Description	
EC083	47mm x 18.5mm end cap	
MC083	Cap Fixing Clip	

Bendable LED Tape Extrusion

- // IP22
- // Surface mounting
- // Standard length 1m or 2m
- // Silver or white options
- // Maximum bend radius
- // 300mm
- // 5-year warranty

Product Code	Dimension	Product Image
MLP114		
Accessories	Description	
EC114	17.9 x 5.7 mm end cap	
MC114	Cap Fixing Clip	

Bendable Silicone Corner Profile

- // Maximum LED strip width 10mm
- // Standard 5m length
- // Maximum Power 10W/m

Product Code	Dimension	Product Image
SLP1616		
Accessories	Description	
EC1616	End cap	
MC1616	Metal Fixing Clip	

Bendable Recessed Trimless Profile

- // Maximum LED strip width 20mm
- // Standard 2m length
- // Maximum power 18W/m
- // Aluminium profile with silicone diffuser

Product Code	Dimension	Product Image
MLP215		
Accessories	Description	
EC215	23.5 x 15 mm end cap	
MLP215/DIFF/20	20m silicone diffuser	

24.2mm x 14.5 mm Recessed Trimless Profile

- // Maximum LED strip width 20mm
- // Standard 2m length
- // Maximum power 18W/m
- // IP20
- // Opal diffuser and foam insert included

Product Code	Dimension	Product Image
PLP24/TR		
Accessories	Description	
EC24	Grey end caps	